



## SPWB 系列螺纹五通



### 公制插管

订货型号

<b>SPWB</b>	<b>8</b>	-	<b>02</b>
系列号	气管外径		螺纹形式
	4		01:1/8"
	6		02:1/4"
	8		03:3/8"
	10		04:1/2"
	12		
	14		
	16		



气管外径 (Φd)

Code	4	6	8	10	12	14	16
DIA	Φ4	Φ6	Φ8	Φ10	Φ12	Φ14	Φ16

锥管螺纹 (t)

Code	01	02	03	04
Size	1/8"	1/4"	3/8"	1/2"

英制插管

订货型号

<u>SPWB</u>	<u>1/4</u>	-	<u>R02</u>
系列号	气管外径		螺纹形式
	5/32		01:1/8"
	3/16		02:1/4"
	1/4		03:3/8"
	5/16		04:1/2"
	3/8		
	1/2		

气管外径 (Φd)

Code	5/32	3/16	1/4	5/16	3/8	1/2
DIA	Φ5/32	Φ3/16	Φ1/4	Φ5/16	Φ3/8	Φ1/2

锥管螺纹 (t)

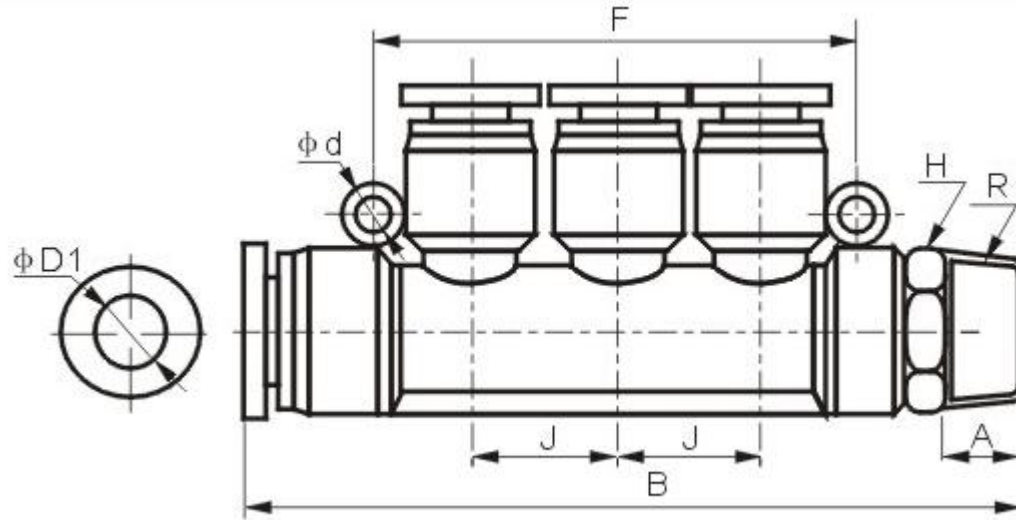
Code	01	02	03	04
Size	1/8"	1/4"	3/8"	1/2"



技术参数

使用流体	洁净的压缩空气, 真空	
最高使用压力	1.32Mpa(13.5kgf/cm <sup>2</sup> )	
压力范围	正常使用压力	0~0.9Mpa(0~9.2kgf/cm <sup>2</sup> )
	低压使用压力	-99.99~0Kpa(-750~0mmHg)
环境及流体温度	0~60℃	
使用软管	PU 软管, 尼龙管	

外形尺寸





英制插管	公制插管	ΦD	R	A	B	H	J	F	Φd
SPWB5/32-M5	SPWB4-M5	4	M5	4.5		10	36.8	12	2.5
SPWB5/32-01	SPWB4-01	4	R1/8	7		10	36.8	12	2.5
SPWB5/32-02	SPWB4-02	4	R1/4	9		14	36.8	12	2.5
SPWB1/4-M5	SPWB6-M5	6	M5	4.5		12	54.8	17.5	4
SPWB1/4-01	SPWB6-01	6	R1/8	7		12	54.8	17.5	4
SPWB1/4-02	SPWB6-02	6	R1/4	9		14	54.8	17.5	4
SPWB1/4-03	SPWB6-03	6	R3/8	10		17	54.8	17.5	4
SPWB1/4-04	SPWB6-04	6	R1/2	11	92	21	54.8	17.5	4
SPWB5/16-01	SPWB8-01	8	R1/8	8	89	14	54.8	17.5	4.5
SPWB5/16-02	SPWB8-02	8	R1/4	10	90	14	54.8	17.5	4.5
SPWB5/16-03	SPWB8-03	8	R3/8	10	91	17	54.8	17.5	4.5
SPWB5/16-04	SPWB8-04	8	R1/2	11	93	21	54.8	17.5	4.5
SPWB3/8-01	SPWB10-01	10	R1/8	8		17	62.5	20.4	4
SPWB3/8-02	SPWB10-02	10	R1/4	10		17	62.5	20.4	4
SPWB3/8-03	SPWB10-03	10	R3/8	10		17	62.5	20.4	4
SPWB3/8-04	SPWB10-04	10	R1/2	11	124	21	62.5	20.4	4
SPWB1/2-02	SPWB12-02	12	R1/4	10		19	71	23	4
SPWB1/2-03	SPWB12-03	12	R3/8	10		19	71	23	4
SPWB1/2-04	SPWB12-04	12	R1/2	11		21	71	23	4